

## Specification sheet LX 2229

### Parapet drainage Rectangular spout with bonding flange

**Emergency drainage**

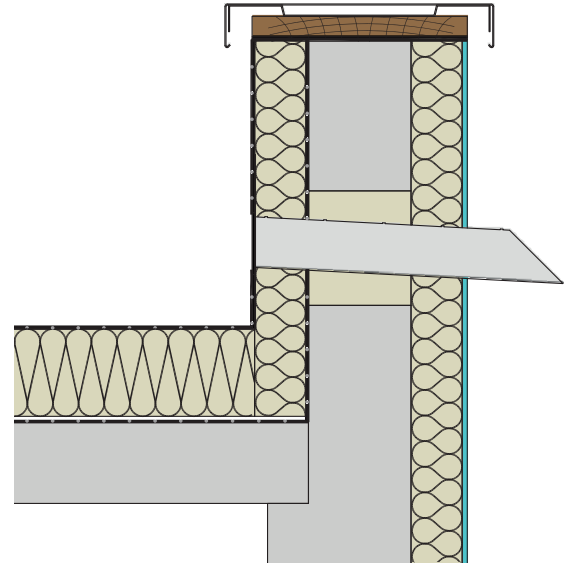
**Gravity flow**

**Silent**

<b>Discharge rate:</b>	<b>2,2 l/s</b>
<b>Water height:</b>	<b>35 mm</b>
<b>Roof penetration:</b>	<b>0 mm</b>
<b>Width/height:</b>	<b>150 mm/50 mm</b>
<b>LX-Number:</b>	<b>LX 2229</b>
<b>Weir height:</b>	<b>-</b>
<b>Drain:</b>	<b>ventilated</b>
<b>Downpipe:</b>	<b>-</b>
<b>Downpipe height:</b>	<b>-</b>
<b>Drainage:</b>	<b>into the open</b>
<b>Flange:</b>	<b>bonding flange</b>

#### LX 2229 Piece list

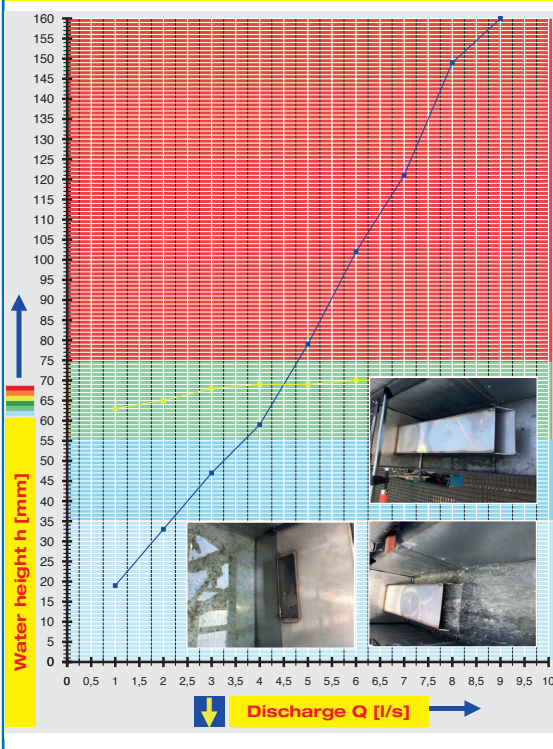
1 x Art.-No. 19040.000X LORO-X Rectangular spout



Note:

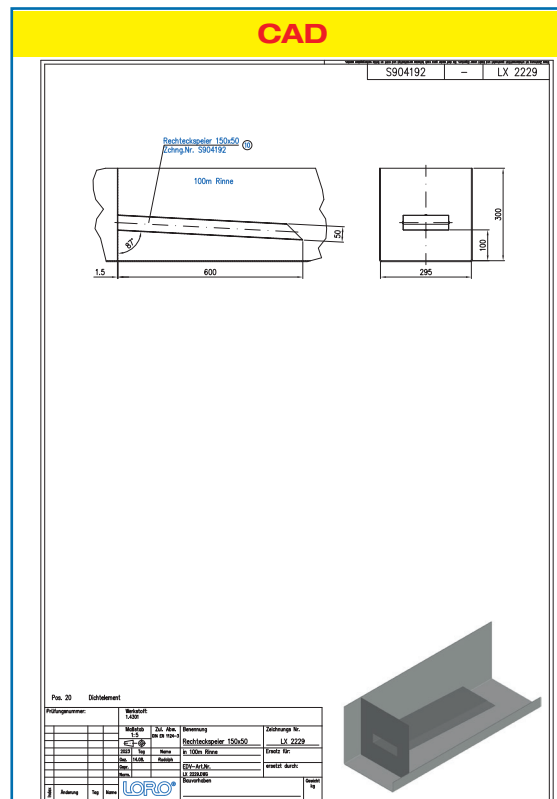
In this measurement, the 0-point in the discharge curve represents the lower edge of the pipe.

#### hQ - Discharge curve



#### System power

#### CAD



#### System shape

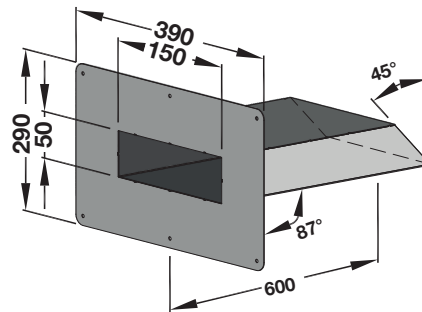
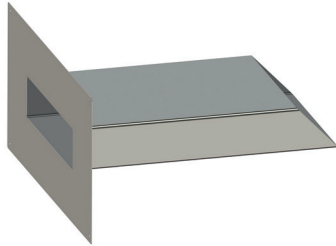
Water height	mm	20	25	30	35	40	45	50	55	60	65	70	75	80	85	90	95	100
Discharge	l/s	-	1,4	1,8	2,2	2,5	2,8	3,25	3,7	4,0	4,3	4,5	4,8	5,0	5,25	5,5	5,7	5,9
<b>Silent</b>																		

## LORO-X Rectangular spout with bonding flange

**LX2229-20X**

### Rectangular spout with bonding flange

Art.-No. 19040.000X  
Weight: 4,0 kg



### LORO-X Facade cover

150 mm x 50 mm  
Art.-No. 19140.000X  
Weight: 0,6 kg



Object-related production upon request. Please contact LOROWERK for further information.

Maximum dimensions: b = 500 mm and h = 100 mm

Maximum dimensions: b = 750 mm and h = 150 mm with baffle.